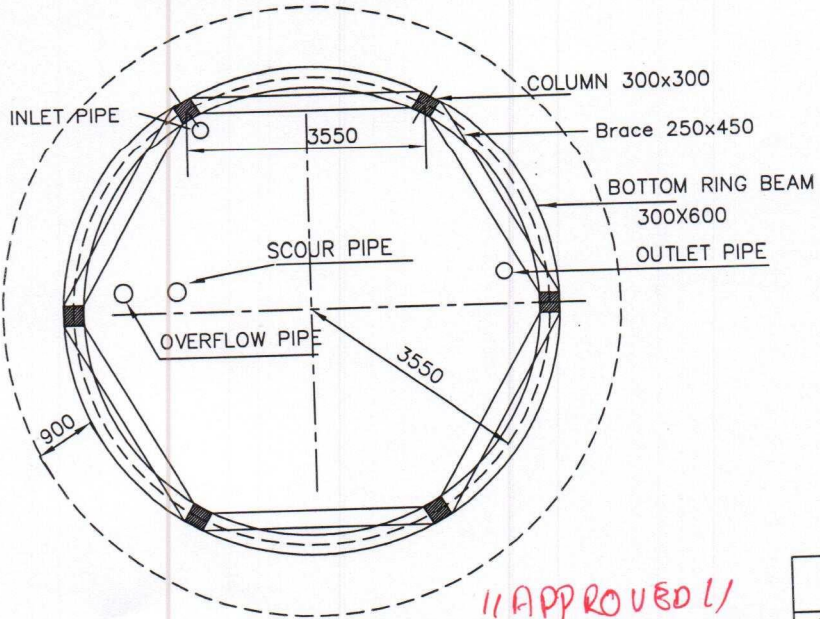


SECTIONAL ELEVATION



PLAN

NOTES

1. Grade of Concrete : M30
2. Grade of Steel : Fe500
3. Clear minimum cover
 - a) Water face:
 - Side walls : 45MM
 - Top & Bottom slabs : 45MM
 - Beams : 45MM
 - b) Away from Water face:
 - Side walls : 25MM
 - Top & Bottom slabs : 25MM
 - Beams : 25MM
 - c) Columns : 40MM
 - d) Footings : 50MM
4. All dimension are in 'mm' unless specified.
5. The steel should not be overlapped at the junction points
6. Not more than 1/2 of the bars should be curtailed at a given section
7. Suitable PVC pipe casing has to be Provided in the staircase column up to the top, for installation of lightning Arrester.
8. Seismic Zone : II
9. Wind speed : 44 m/s (Wind pressure: 1.6 kN/m²)
10. free board: 0.2m
11. Dead storage : 0.15m
12. Total staging is 12m and has to be adjusted in last staging
13. The bottom Brace is considered at a height of 2m from top of the Raft ring beam.
14. For detailing of reinforcement IS SP-34 shall be followed.

Government of Telangana

Rural Water Supply & Sanitation Department

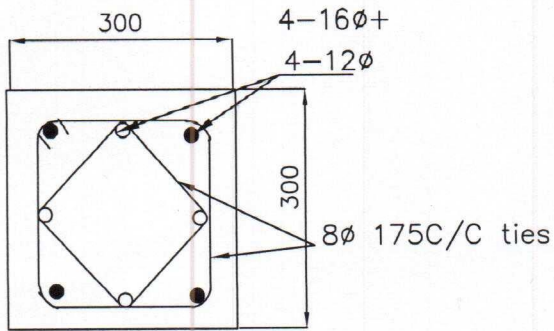
Construction of 90 KL capacity OHSR/OHBR 12m staging column type

Scale: Not to scale

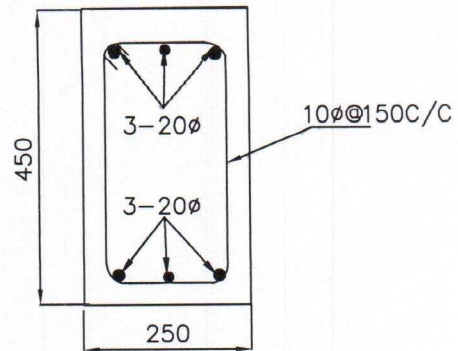
sheet: 1 of 8

11 APPROVED 11

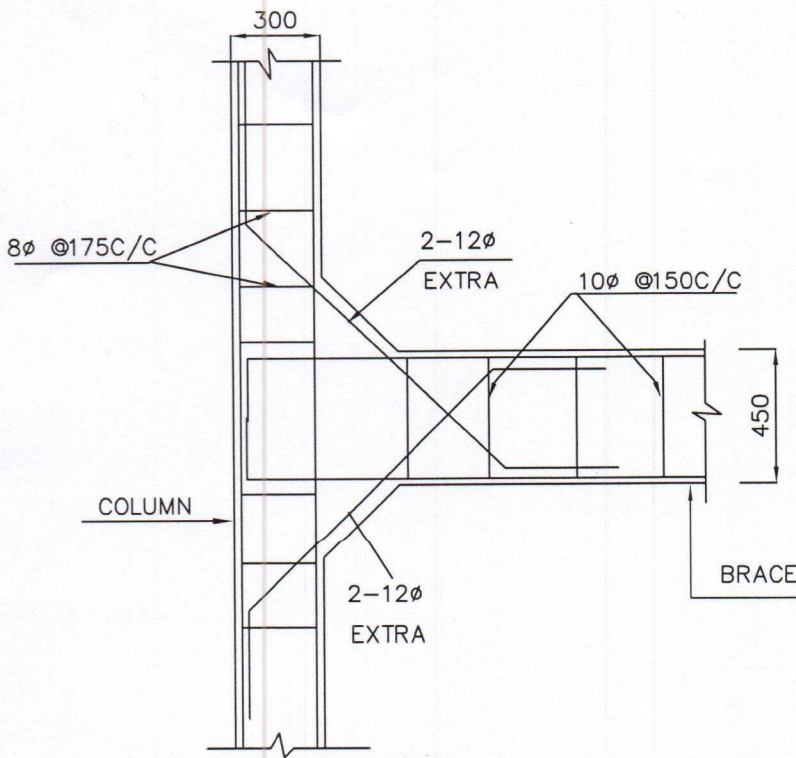
CE-I CE-II CE-III
 TOWSP, Hyderabad



SECTION OF COLUMN



SECTION OF BRACE



COLUMN BRACE JUNCTION

// APPROVED //

CE-I

CE-II

CE-III

TDWSP, Hyderabad.

17/4

17/4

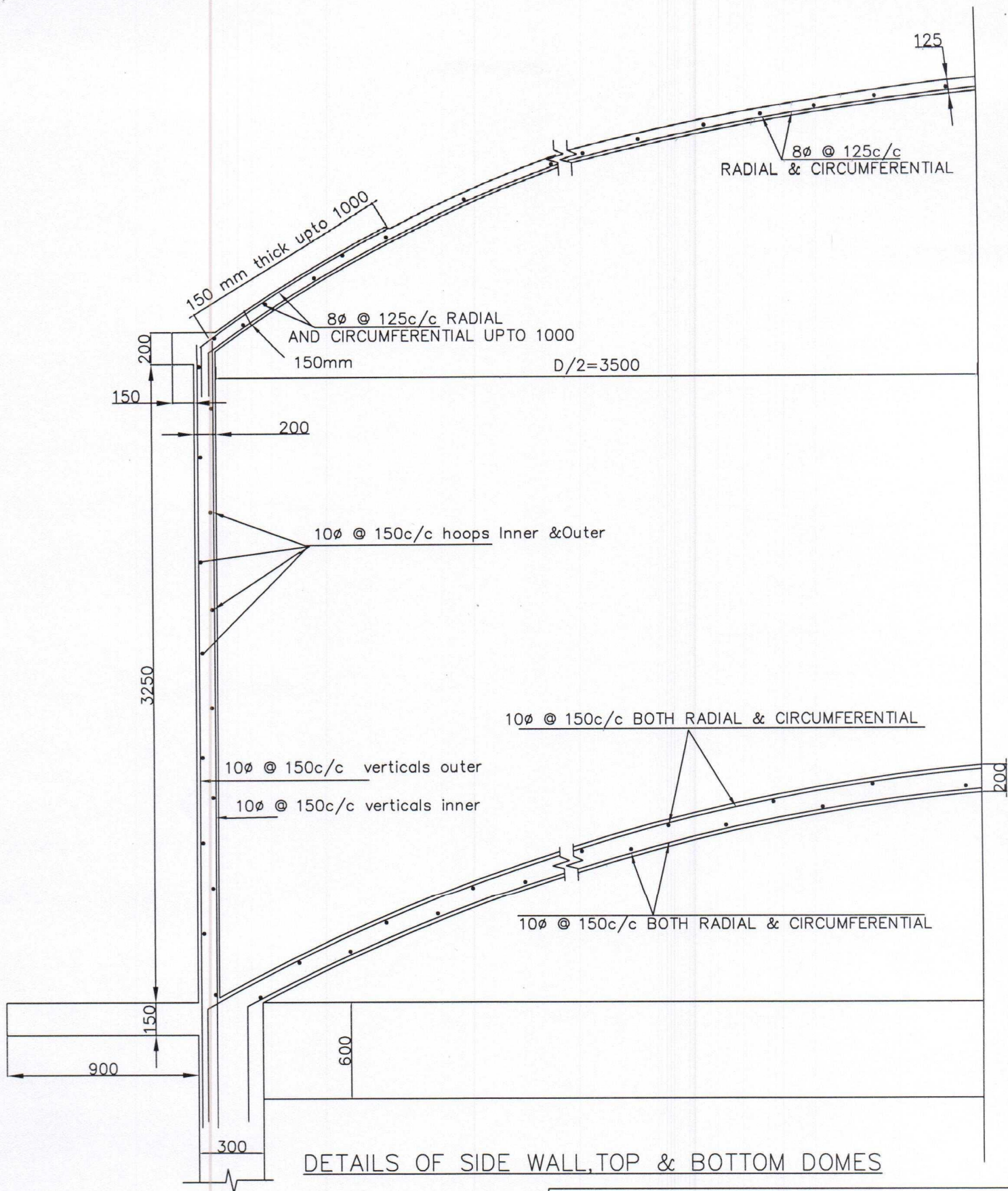
17/4

17/4

17/4/2017

17/4/2017

Government of Telangana.	
Rural Water Supply & Sanitation Department	
Construction of 90 KL capacity OHSR/OHBR 12m staging column type	
Scale: Not to scale	sheet: 2 of 8



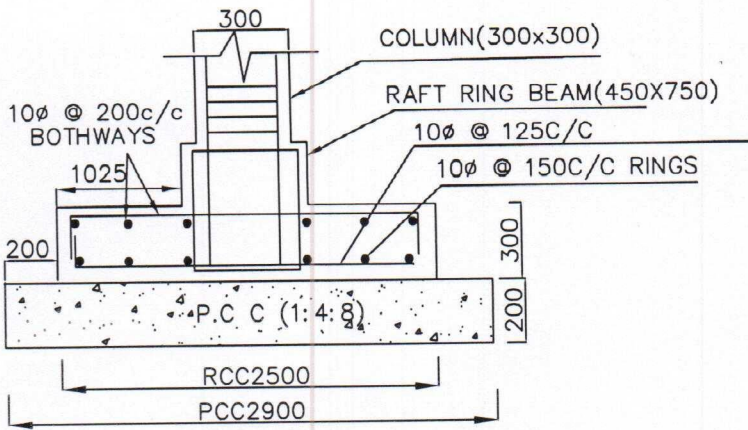
11 APPROVED 11

CE-I CE-II CE-III

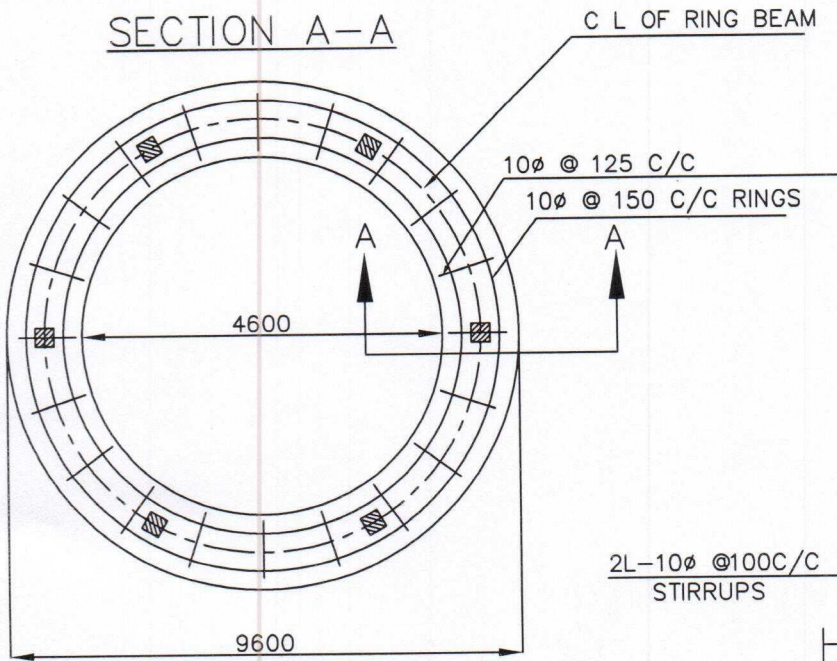
TDWSP, Hyderabad

17/4 17/4 17/4 17/4 17/4

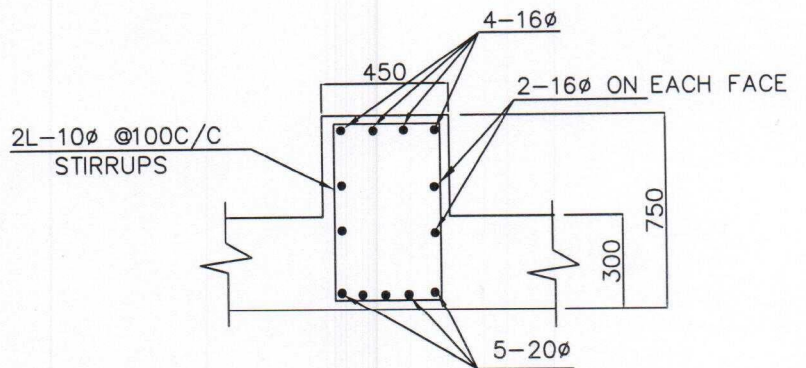
Government of Telangana.	
Rural Water Supply & Sanitation Department	
Construction of 90 KL capacity OHSR/OHBR 12m staging column type	
Scale: Not to scale	sheet: 4 of 8



SECTION A-A



BOTTOM REINFORCEMENT OF RING FOUNDATION
SBC 7.5t/M²

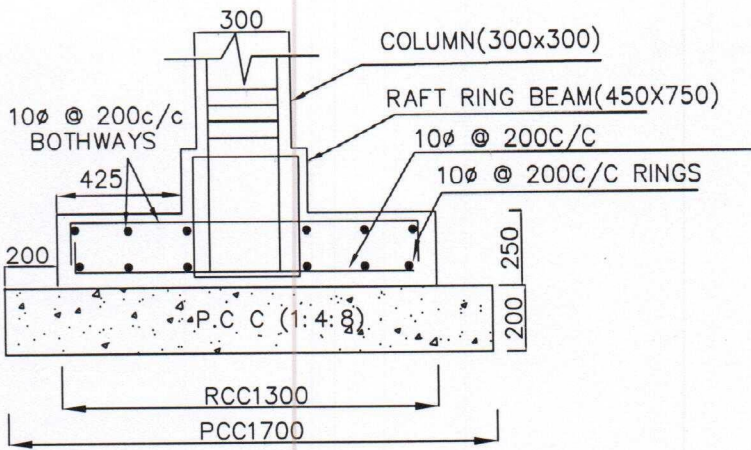


SECTION OF RAFT RING BEAM

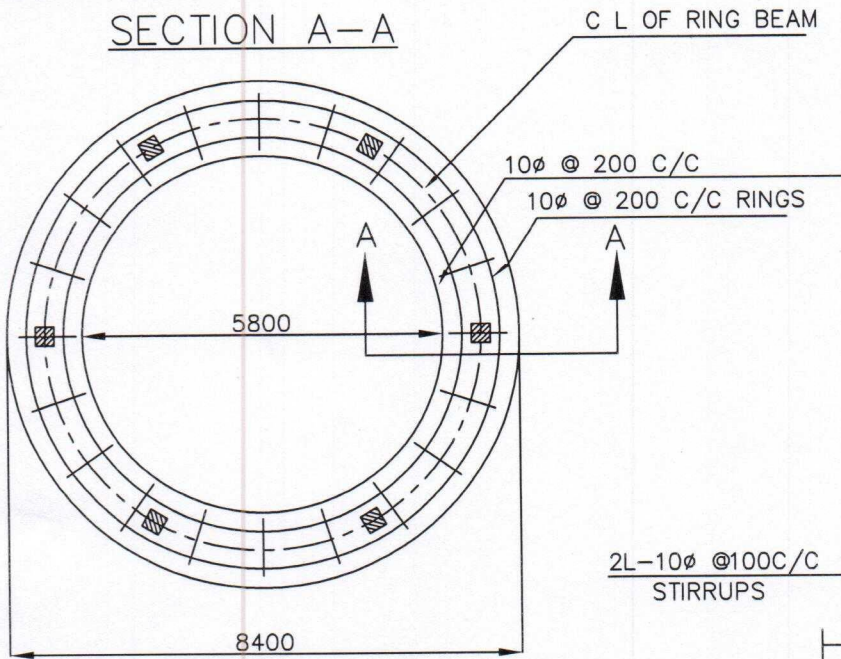
11 APPROVED L1

CE-1 CE-II CE-III
 TDWSP, Hyderabad
 17/4/14 M. 12/14 E.E.

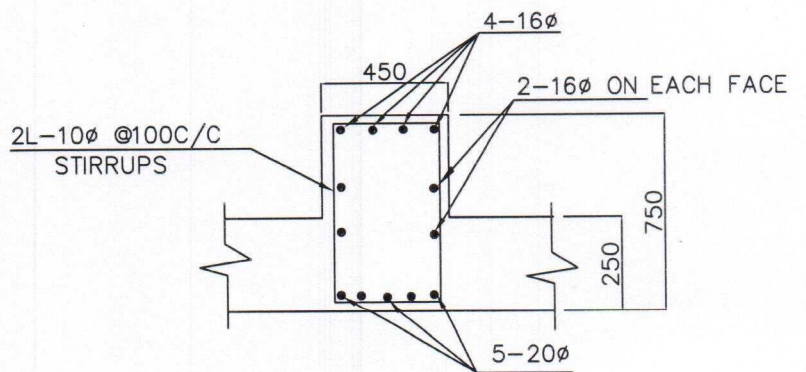
Government of Telangana.	
Rural Water Supply & Sanitation Department	
Construction of 90 KL capacity OHSR/OHBR 12m staging column type	
Scale: Not to scale	sheet: 5 of 8



SECTION A-A



BOTTOM REINFORCEMENT OF RING FOUNDATION
SBC 15t/M2



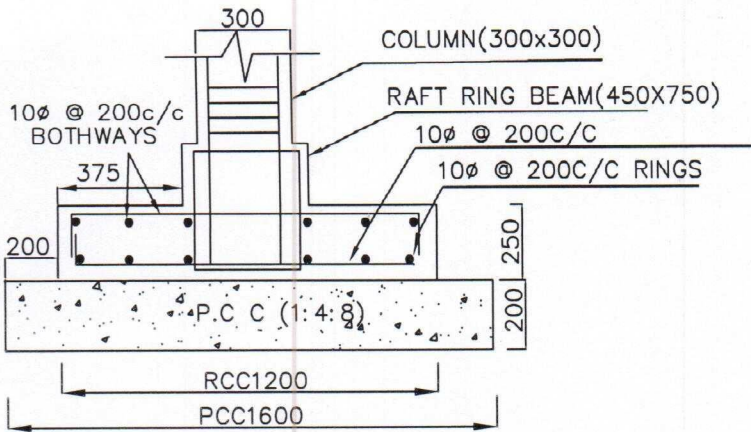
SECTION OF RAFT RING BEAM

APPROVED ✓

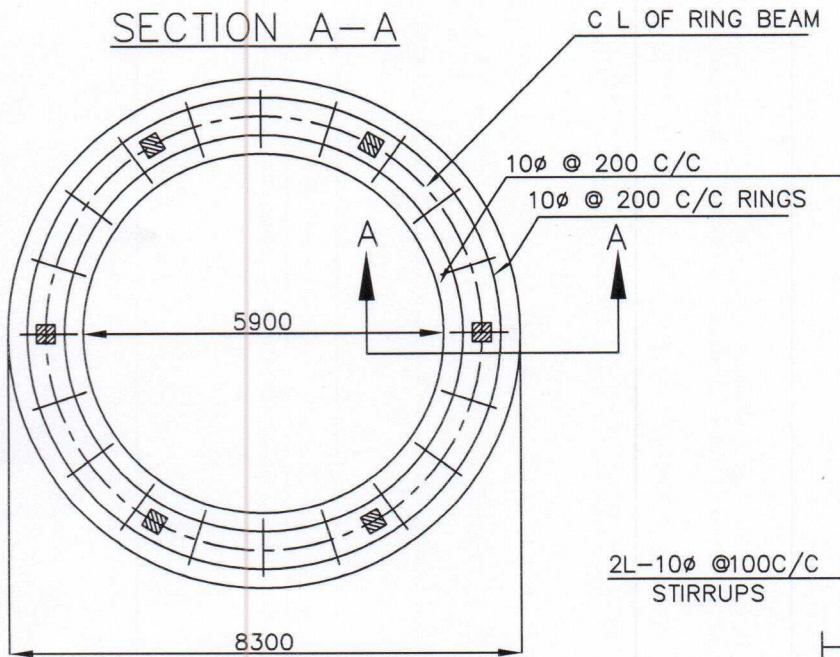
CE-1 ✓ G. K. Reddy
CE-11 ✓ 1/19
CE-111 ✓ Ph
TOWSP, Hyderabad

12/16
17/4/2017
12/16
EE

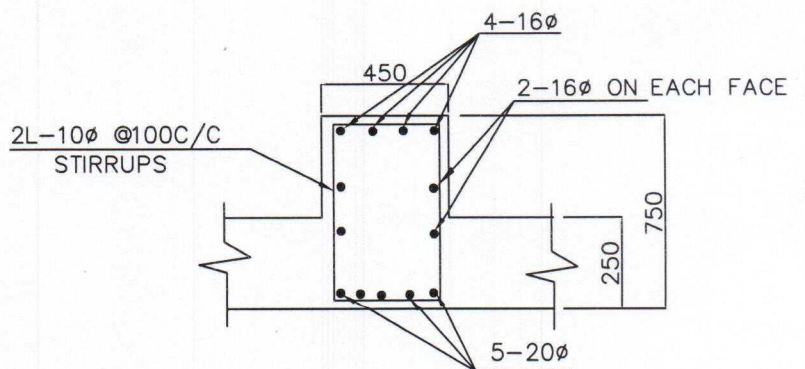
Government of Telangana.	
Rural Water Supply & Sanitation Department	
Construction of 90 KL capacity OHSR/OHBR 12m staging column type	
Scale: Not to scale	sheet: 6 of 8



SECTION A-A



BOTTOM REINFORCEMENT OF RING FOUNDATION
SBC 20t/M2



SECTION OF RAFT RING BEAM

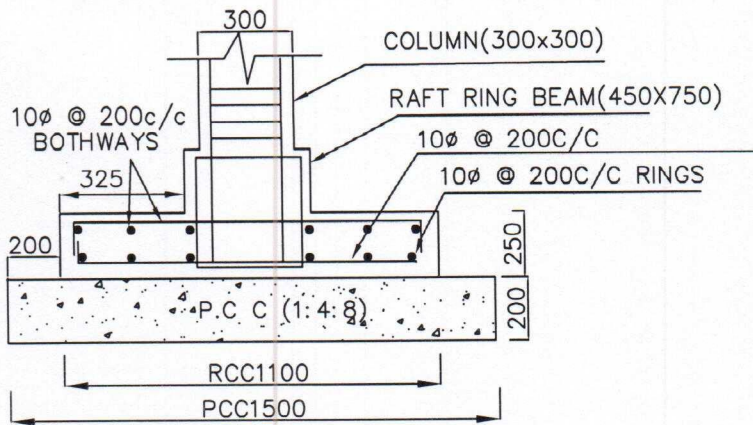
11 APPROVED

CE-1 *Girish* CE-II *My* CE-III

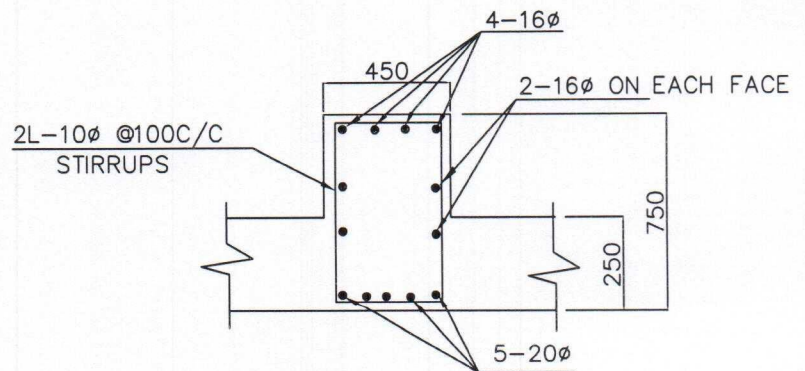
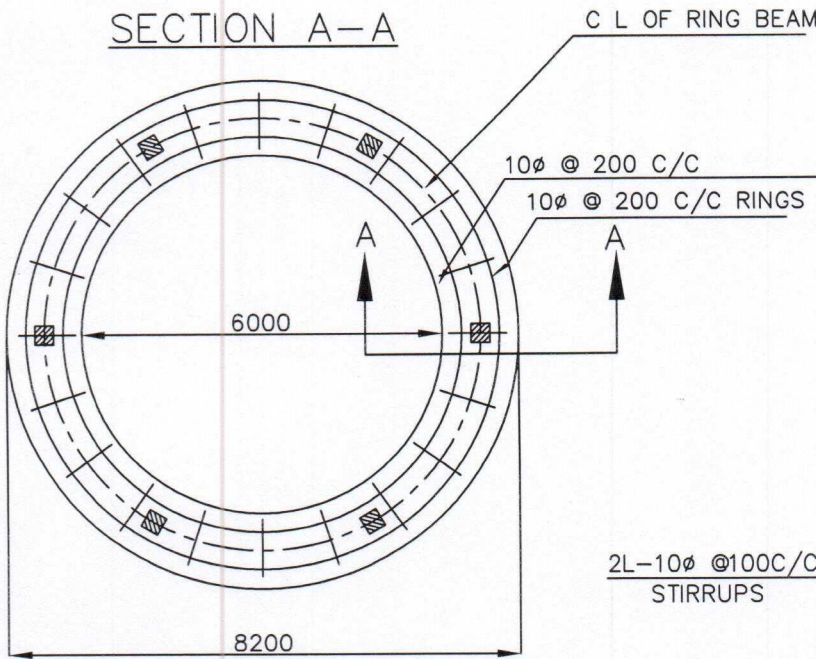
TDCWSP, Hyderabad

13/14 *17/11/12* *17/11/12* *EE*

Government of Telangana.	
Rural Water Supply & Sanitation Department	
Construction of 90 KL capacity OHSR/OHBR 12m staging column type	
Scale: Not to scale	sheet: 7 of 8



SECTION A-A



SECTION OF RAFT RING BEAM

BOTTOM REINFORCEMENT OF RING FOUNDATION
SBC 30t/M2

II APPROVED I/

CE-I CE-II CE-III
 TD WSP, Hyderabad.
 12/4 12/4 12/4 17/4/13 m 12/4 CE

Government of Telangana.	
Rural Water Supply & Sanitation Department	
Construction of 90 KL capacity OHSR/OHBR 12m staging column type	
Scale: Not to scale	sheet: 8 of 8